

**THULE**
SWEDEN

Thule XT Kit 3070

> Instructions

CITROËN Nemo, 3-dr Van, 08-
CITROËN Nemo, 4-dr Van, 08-
CITROËN Nemo, 5-dr Van, 08-
FIAT Fiorino, 3-dr Van, 08-
FIAT Fiorino, 4-dr Van, 08-
FIAT Fiorino, 5-dr Van, 08-
FIAT Qubo, 4-dr MPV, 08-17
FIAT Qubo, 5-dr MPV, 08-17
PEUGEOT Bipper, 3-dr Van, 08-
PEUGEOT Bipper, 4-dr Van, 08-
PEUGEOT Bipper, 5-dr Van, 08-

This kit is only for vehicles with fixpoint mounting.

The diagram illustrates the installation of the Thule XT Kit 3070. It shows the following components and instructions:

- Weight Limits:**
 - Two 6 kg / 13 lbs bags (xx kg / xx lbs) + 2 mounting points = **Max. 100 kg / 220 lbs**
 - Two 9 kg / 20 lbs bags (xx kg / xx lbs) + 2 mounting points = **Max. 150 kg / 330 lbs**
- Mounting:** A warning icon is shown next to a diagram of the roof rack being mounted on the vehicle's roof.
- Speedometer Warning:** A warning icon is shown next to a speedometer diagram. The speedometer has a red zone starting at 80 km/h (50 Mph) and ending at 130 km/h (80 Mph). A warning icon is placed in the red zone, indicating that the vehicle should not exceed 80 km/h (50 Mph) when the roof rack is installed.

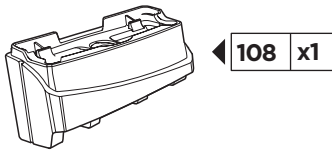
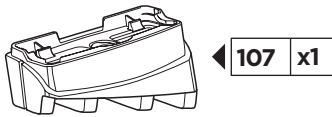
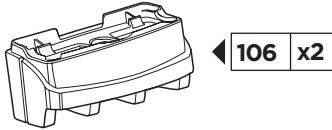
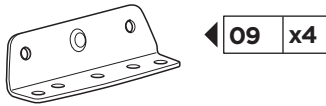
ISO 11154-E

183070

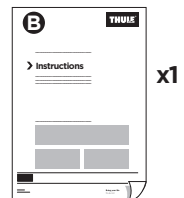
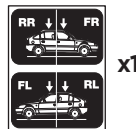
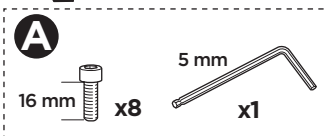
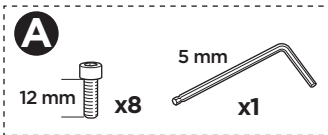
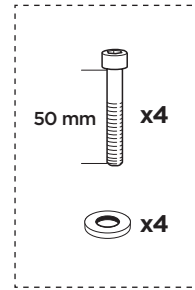
C.2018-05-21
509-3070-02

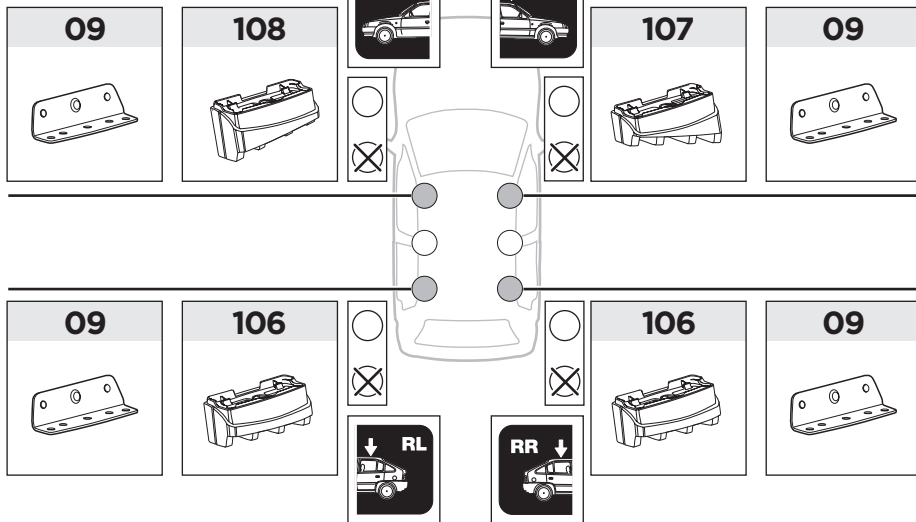
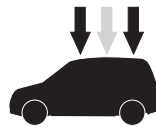
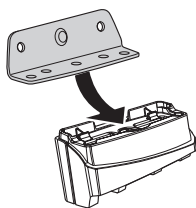
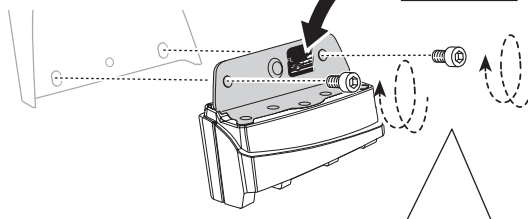
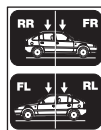
Herbály Autó www.herbalyauto.hu

Bring your life
thule.com



50985



1**751**
FootPack**A****B**

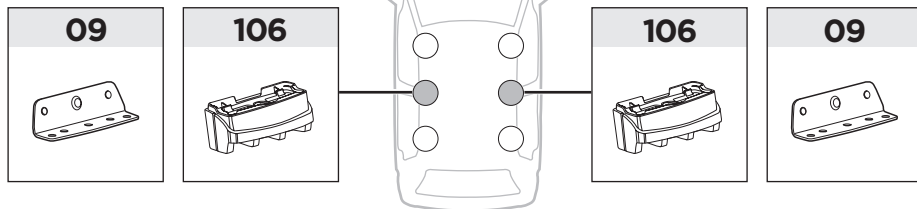
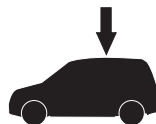
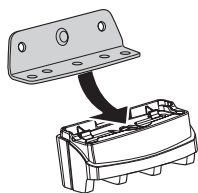
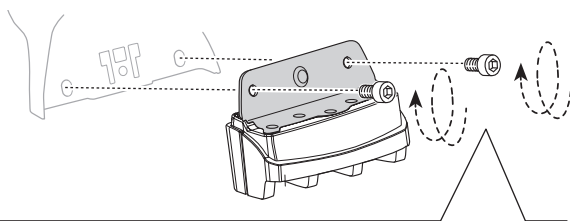
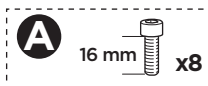
EN Only a few turns
DE Nur wenige Umdrehungen
FR Quelques tours uniquement
NL Slechts enkele slagen
IT Solo qualche giro
ES Sólo algunas vueltas
PT Noções básicas
SV Endast några varv
DK Kun nogle få omgange
NE Bare noen få omdreinger
FI Vain muutama kierros

ET Ainult mõni pööre
LV Tikai dažī apgriezieni
LT Tik keli pasukimai
PL Wystarczy kilka obrotów
RU Только несколько оборотов
UK Лише декілька обертів
BG Само няколко завъртания
CS Pouze několik otáček
SK Len niekoľko otáčok
SL Le nekaj obratov
HR/BIH Samo nekoliko okreta

RO Doar câteva rotiri
HU Csak néhány fordítás
EL Μόνο λίγες περιστροφές
TR Yalnızca birkaç tur

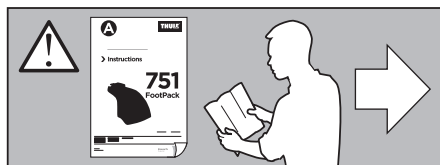
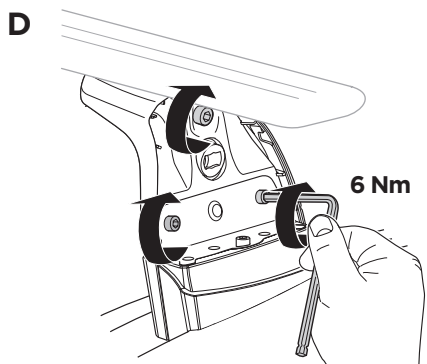
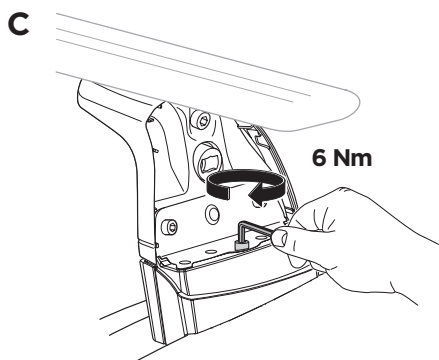
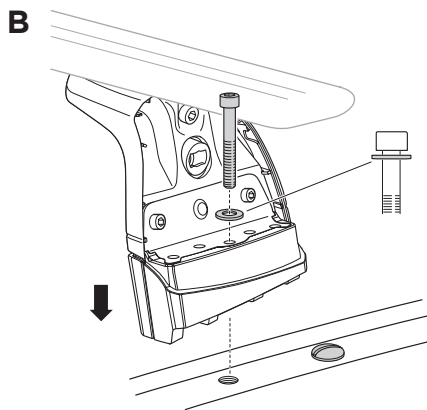
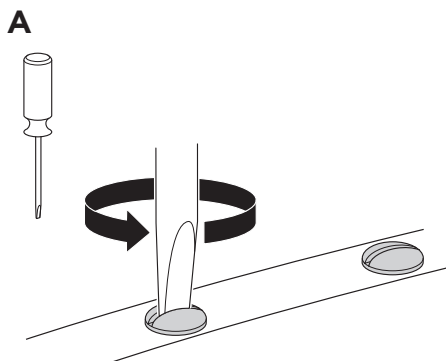
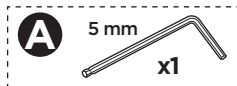
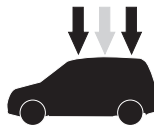
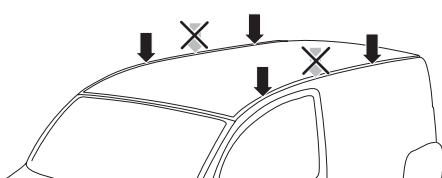
بعض دورات فقط **AR**
 רק מספר סיבובים **HE**

ZH 仅几圈
JA 2～3回転のみ
KO 몇 번만 돌리면 됨
TH □□□□□□□□□□□□

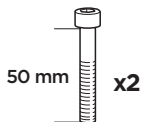
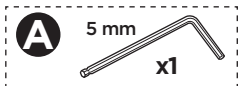
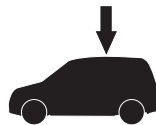
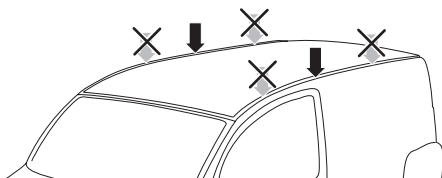
1**753**
FootPack**A****B**

EN Only a few turns	ET Ainult mõni pööre	RO Doar câteva rotiri
DE Nur wenige Umdrehungen	LV Tikai dažī apgriezieni	HU Csak néhány fordítás
FR Quelques tours uniquement	LT Tik keli pasukimai	EL Μόνο λίγες περιστροφές
NL Slechts enkele slagen	PL Wystarczy kilka obrotów	TR Yalnızca birkaç tur
IT Solo qualche giro	RU Только несколько оборотов	AR بعض دورات فقط
ES Sólo algunas vueltas	UK Лише декілька обертів	HE רק מספר סיבובים
PT Noções básicas	BG Само няколко завъртания	ZH 仅几圈
SV Endast några varv	CS Pouze několik otáček	JA 2～3回転のみ
DK Kun nogle få omgange	SK Len niekoľko otáčok	KO 몇 번만 돌리면 됨
NE Bare noen få omdreininger	SL Le nekaj obratov	TH □□□□□□□□□□□□
FI Vain muutama kierros	HR/BIH Samo nekoliko okreta	

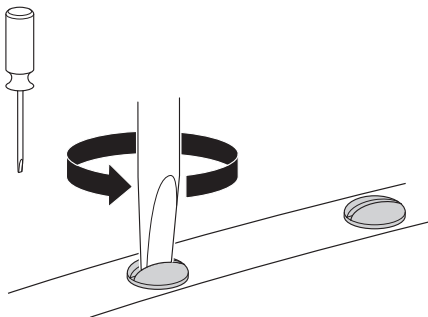
2 **751**
FootPack



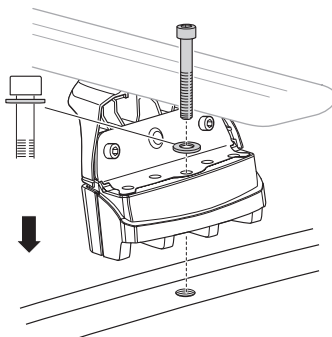
2  **753**
FootPack



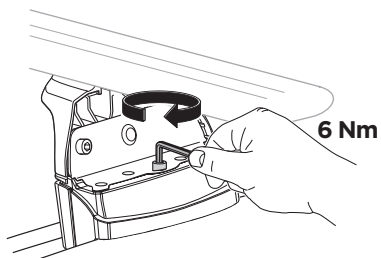
A



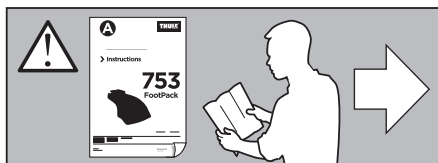
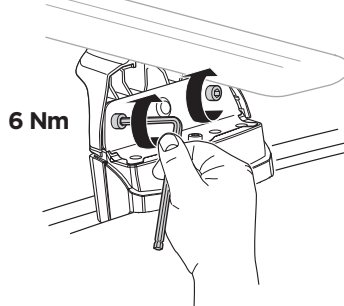
B





C



D



WW ▶  Thule Sweden AB, Box 69, 330 33 Hillerstorp, SWEDEN
NA ▶  Thule Inc., 42 Silvermine Road, Seymour, Connecticut 06483, USA

 info@thule.com
 Phone: 800-238-2388

› PART OF THULE GROUP

Herbály Autó www.herbalyauto.hu

 www.thule.com

509-3070-02