

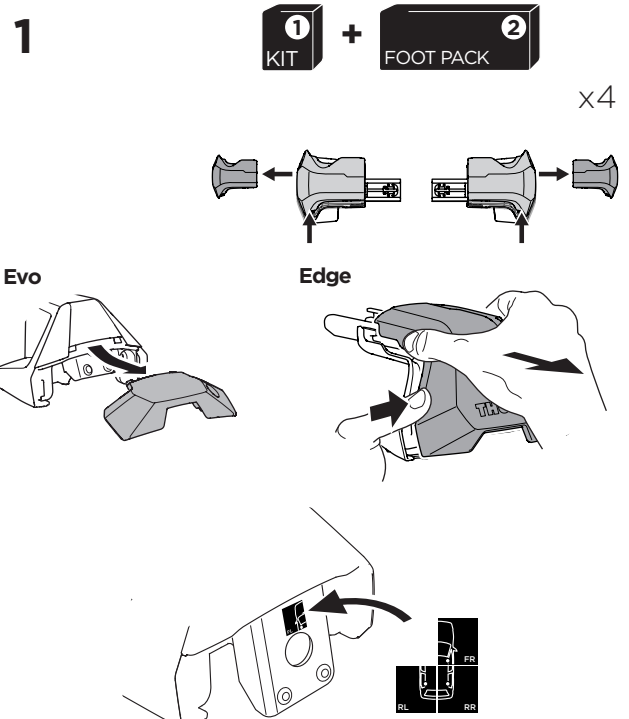
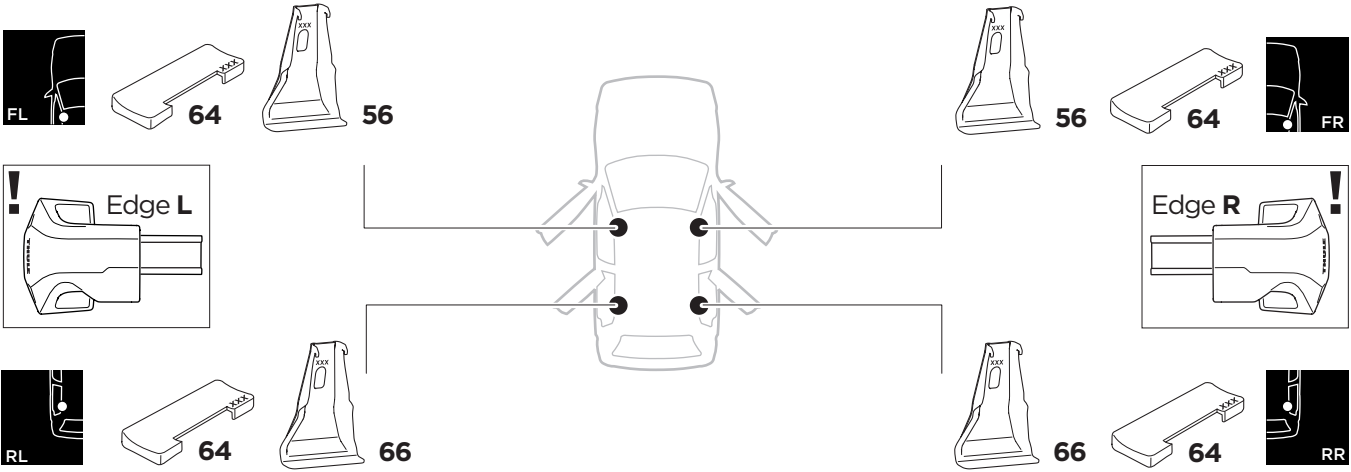
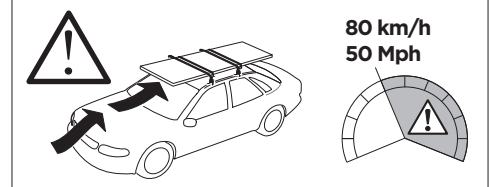
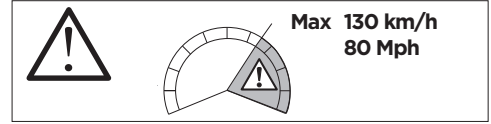
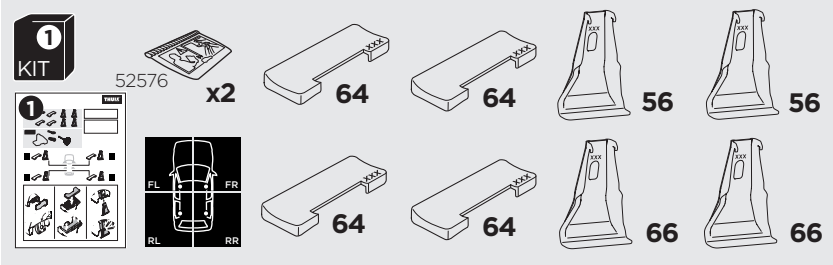
1

Kit 145005

MINI (F55), 5-dr Hatchback, 14-

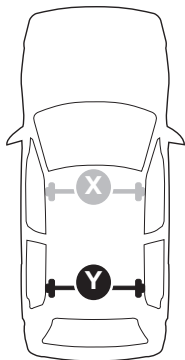


ISO 11154-E





THULE WingBar Evo	THULE WingBar Edge	THULE WingBar	THULE SquareBar Evo	Evo X (scale)	Edge X (scale)
MINI (F55), 5-dr Hatchback, 14-				28	E
THULE ProBar Evo	THULE SlideBar Evo				X (mm/inch)
MINI (F55), 5-dr Hatchback, 14-				931 mm / 36 5/8"	



THULE WingBar Evo	THULE WingBar Edge	THULE WingBar	THULE SquareBar Evo	Evo Y (scale)	Edge Y (scale)
MINI (F55), 5-dr Hatchback, 14-				26,5	H
THULE ProBar Evo	THULE SlideBar Evo				Y (mm/inch)
MINI (F55), 5-dr Hatchback, 14-				916 mm / 36 1/8"	

	W (mm/inch)	Z (mm/inch)
MINI (F55), 5-dr Hatchback, 14-	700 mm / 27 1/2"	315 mm / 12 3/8"

